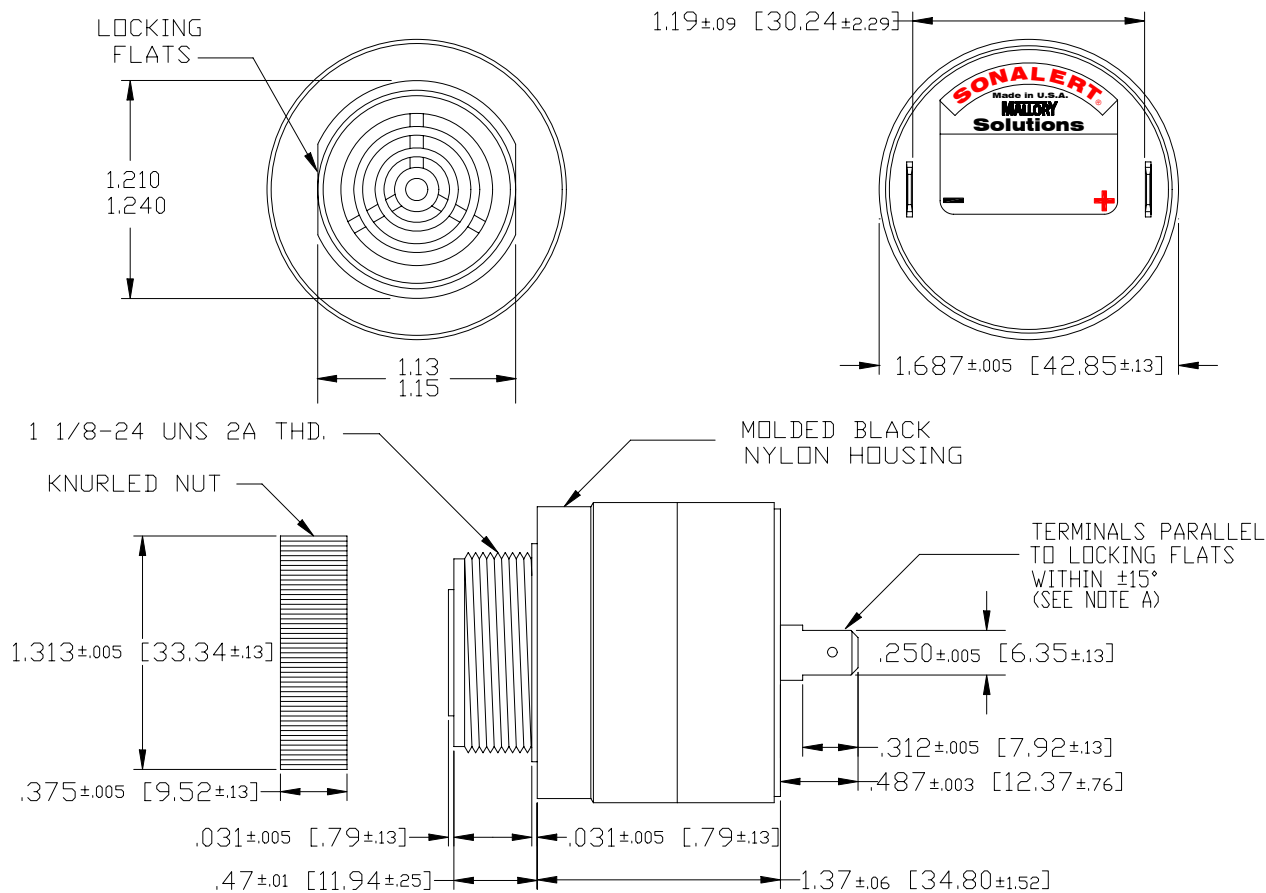


**Sales Outline Drawing**

**Specifications:**

Product Type	Speaker/Housing Assembly
Input Power	0.2 Watts
Max Power	0.3 Watts for 1 minute
Lowest Resonant Freq.	460 Hz
Frequency Range	460 to 8,000 Hz
Impedance	8 Ohms
Output SPL	87 dB @ 1W 1 M @ 0.8 kHz, 1.2 kHz, & 1.5 kHz
Storage Temperature	-20°C to +55°C
Operating Temperature	-20°C to +55°C
Weight (Typical)	1.5 oz (42 g)
Options	For other options contact factory

**Dimensions: Inches (mm)**



NOTE A: TERMINALS-.032 BRASS TIN PLATED, TAPPED FOR #6-32 SCREW. TWO #6-32 NICKEL PLATED BRASS SCREWS INCLUDED. WILL ACCEPT 1/4" QUICK CONNECT.

NOTE B: MOUNTING- REMOVE BLACK PLASTIC NUT AND INSERT THREADED FRONT THROUGH 1.25" HOLE PUNCHED IN PANEL, IF ORIENTATION IS NEEDED, NOTE LOCKING FLATS ON DRAWING. SCREW NUT BACK ON. DO NOT OVERTIGHTEN.