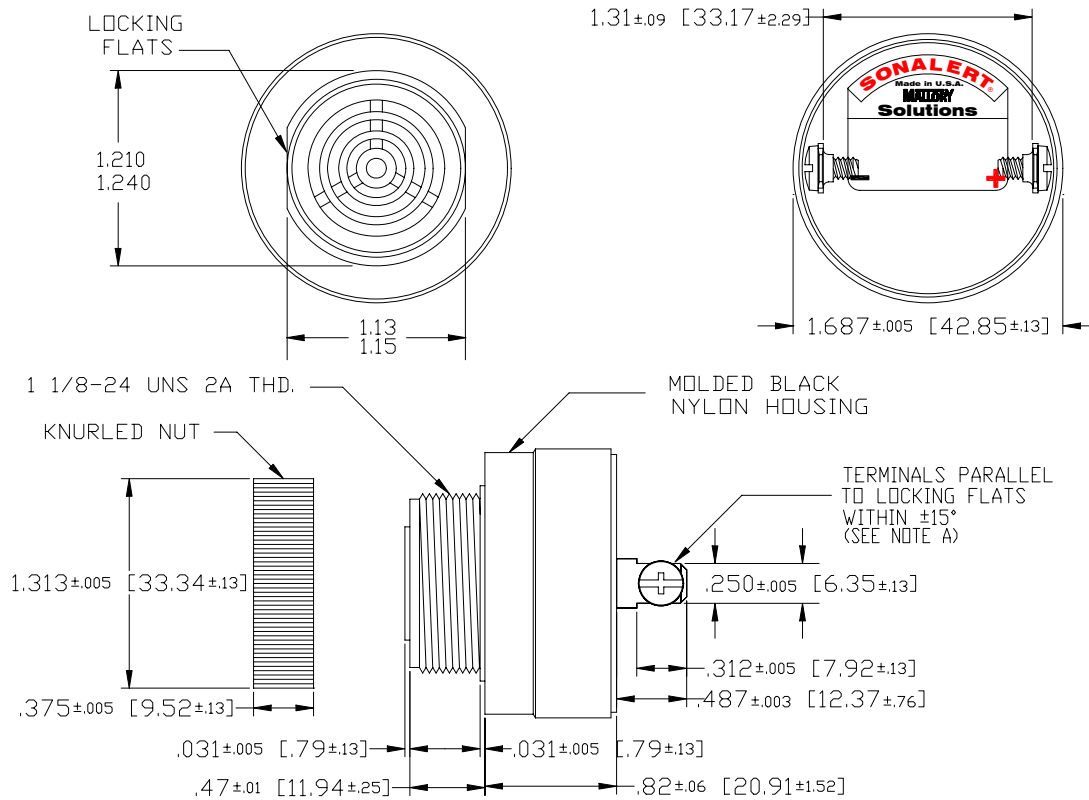


Specifications:

Sound Level Category	Soft
Mode of Operation	Continuous tone
Voltage Rating	48 to 120 VAC/DC
Frequency	Driving frequency of 400 Hz
Loudness @ 2 FT	70 dB(A) typ. (48 to 120 VAC/DC)
Current Draw	50 mA Max (48 to 120 VAC/DC)
Housing Material	Nylon 6/6 (Color: Black)
Storage Temperature	-40°C to +85°C
Operating Temperature	-30°C to +65°C
Panel Mounting	Recommended hole size is 1.25in (31.75mm). Threaded front will fit standard 30mm (1.181in) hole.
Knurled Nut	Used to attach part to panel. The max recommended torque is 10 in-lbs
Weight (Typical)	1.5 oz (43 g)
NEMA 3R, 4X, & 12	Approved with use of ACC03.
Options	For other options contact factory

Dimensions: Inches (mm)

RoHS Compliant



NOTE A: TERMINALS-.032 BRASS TIN PLATED, TAPPED FOR #6-32 SCREW. TWO #6-32 NICKEL PLATED BRASS SCREWS INCLUDED. WILL ACCEPT 1/4" QUICK CONNECT.

NOTE B: MOUNTING- REMOVE BLACK PLASTIC NUT AND INSERT THREADED FRONT THROUGH 1.25" HOLE PUNCHED IN PANEL, IF ORIENTATION IS NEEDED, NOTE LOCKING FLATS ON DRAWING. SCREW NUT BACK ON. DO NOT OVERTIGHTEN.