

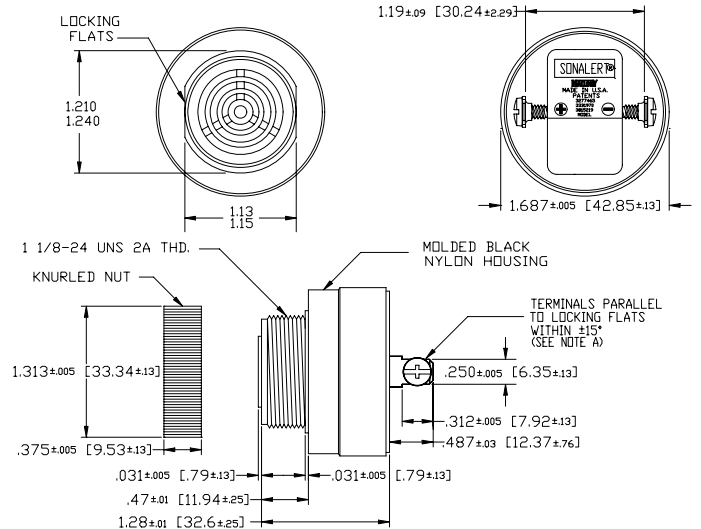
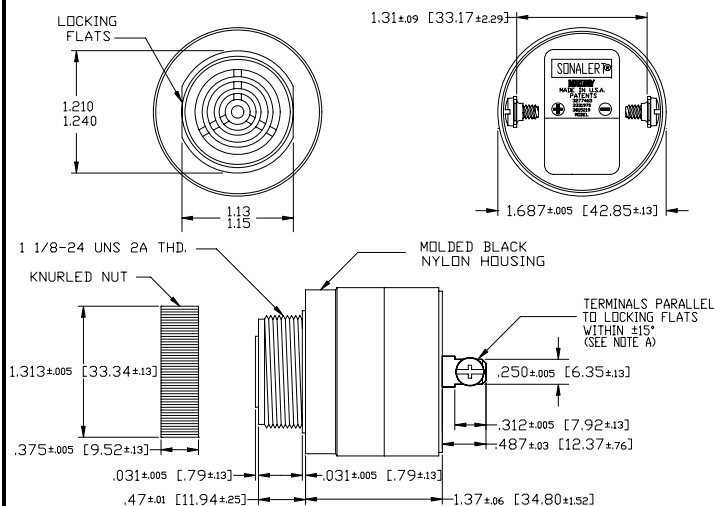
Specifications:

| | |
|-------------------------|--|
| Sound level Category | Soft Sound Level |
| Mode of Operation | Continuous |
| Mounting | Panel (see note B) |
| Voltage Rating | 10 to 48 Vac/dc |
| Frequency | 1900 Hz ±300 Hz |
| Loudness (Min. Voltage) | 55 to 65 dB(A) min. @ 2 FT and 10 Vac/dc |
| Loudness (Max Voltage) | 65 to 75 dB(A) min. @ 2 FT and 48 Vac/dc |
| Current Draw | 3 mA Max @ 10 Vac/dc |
| Current Draw | 11 mA Max @ 48 Vac/dc |
| Storage Temperature | -40°C to +85°C |
| Operating Temperature | -30°C to +65°C |
| Weight (Typical) | 1.6 oz (45 g) |
| Housing | 6/6 Nylon, Color Black |
| Options | For other options contact factory |

Dimensions: Inches (mm)

PART DIMENSIONS BEFORE CODE DATE 0829 5

PART DIMENSIONS AFTER CODE DATE 0830 1



NOTE A: TERMINALS--032 BRASS TIN PLATED, TAPPED FOR #6-32 SCREW. TWO #6-32 NICKEL PLATED BRASS SCREWS INCLUDED. WILL ACCEPT 1/4" QUICK CONNECT.

NOTE B: MOUNTING-- REMOVE BLACK PLASTIC NUT AND INSERT THREADED FRONT THROUGH 1.25" HOLE PUNCHED IN PANEL, IF ORIENTATION IS NEEDED, NOTE LOCKING FLATS ON DRAWING. SCREW NUT BACK ON. DO NOT OVERTIGHTEN.

NOTE A: TERMINALS--032 BRASS TIN PLATED, TAPPED FOR #6-32 SCREW. TWO #6-32 NICKEL PLATED BRASS SCREWS INCLUDED. WILL ACCEPT 1/4" QUICK CONNECT.

NOTE B: MOUNTING-- REMOVE BLACK PLASTIC NUT AND INSERT THREADED FRONT THROUGH 1.25" HOLE PUNCHED IN PANEL, IF ORIENTATION IS NEEDED, NOTE LOCKING FLATS ON DRAWING. SCREW NUT BACK ON. DO NOT OVERTIGHTEN.