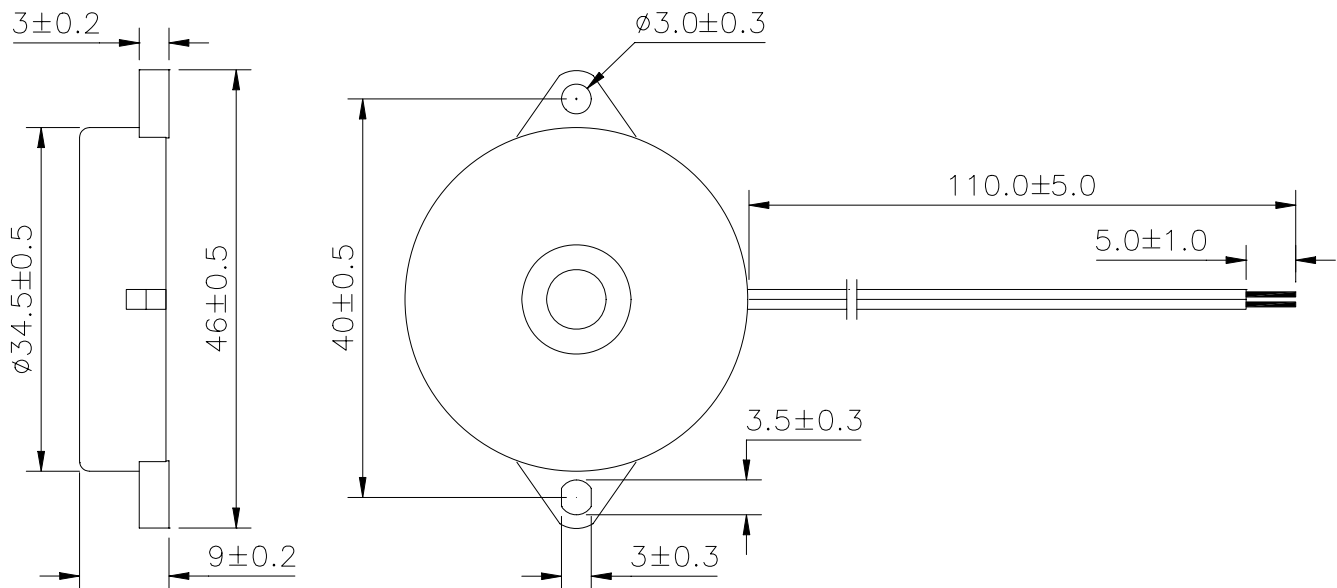


**Specifications:**

Resonant Frequency (Hz)	1100 ± 500
Operating Voltage Max (Vp-p)	30
Rated Voltage (Vp-p)	5.0
Current Consumption Max. (mA)	2.0 at Rated Voltage
Sound Pressure Level Min. (dB)	85 at 10cm at Rated Voltage
Capacitance (pF)	48,000 ±30% @ 120Hz
Operating Temperature (°C)	-20 ~ +90
Storage Temperature (°C)	-30 ~ +100
Housing	ABS 777D UL94HB plastic resin (Color: Black)
Leading Wire	28 AWG
Weight (Grams)	5.8
Options	For other options contact factory

PS: Vp-p = 1/2duty, square wave

**Dimensions:** (units: mm)**ROHS Compliant**

Unit:mm