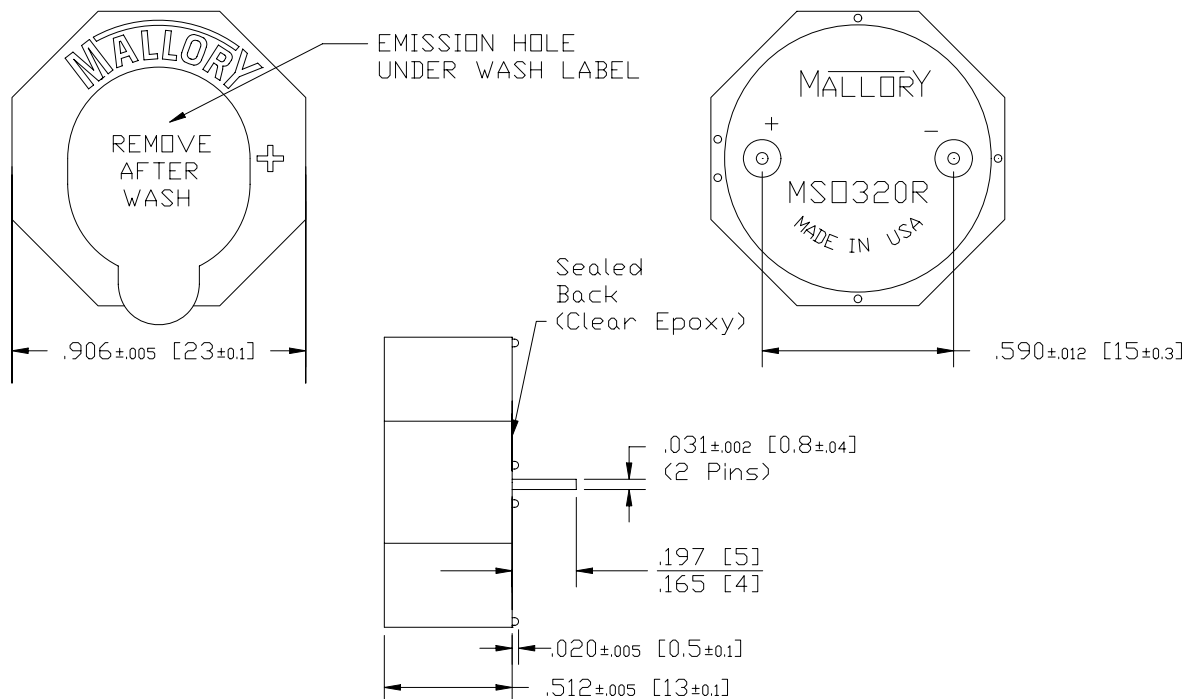


Specifications:

Sound level Category	Medium Sound Level
Mode of Operation	Continuous tone
Mounting	Printed Circuit Board (see note B)
Voltage Rating	3 to 20 Vdc
Frequency	3400 Hz ±400 Hz
Loudness (Min. Voltage)	60 dB(A) min. @ 2 FT and 3 Vdc
Loudness (Max Voltage)	78 dB(A) min. @ 2 FT and 20 Vdc
Current Draw	3 mA Max @ 3 Vdc
Current Draw	16 mA Max @ 20 Vdc
Storage Temperature	-30°C to +80°C
Operating Temperature	-20°C to +65°C
Weight (Typical)	3.5 grams
Housing	Valox (UL94V-0), Color Black
Options	For other options contact factory

Dimensions: Inches (mm)

ROHS Compliant



NOTE A:
TERMINALS - .031" DIA. NICKEL/TIN COATED BRASS.

NOTE B:
MOUNTING- INSERT INTO PRINTED CIRCUIT BOARD AND HAND OR MACHINE SOLDER. UNITS ARE SUITABLE FOR WAVE SOLDERING AND AQUEOUS WASH WHEN THE EMISSION HOLE IS COVERED WITH A WASH LABEL. RECOMMENDED MAXIMUM TEMPERATURE AND TIME DURATION FOR WAVE SOLDERING IS +270°C AND 3 SECONDS RESPECTIVELY.