



**Mallory Sonalert Products, Inc.**

Part #: **JT028-Y-CD**

**Sales Outline Drawing**

Revision: **A**

**Specifications:**

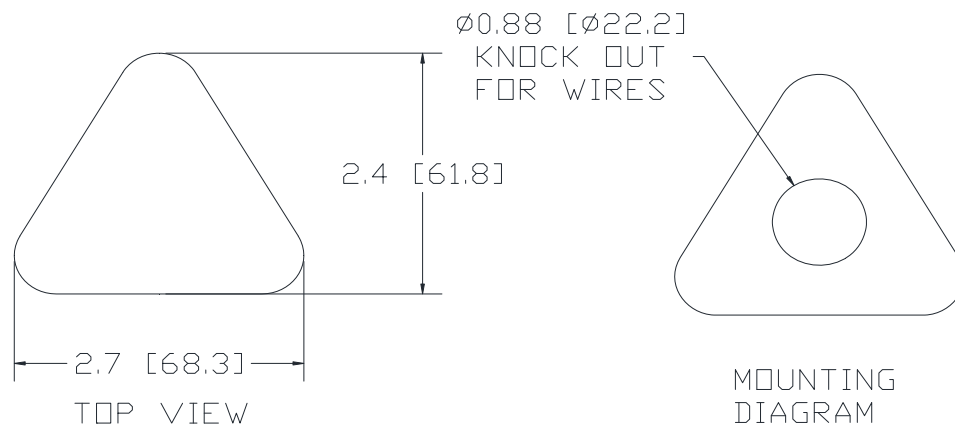
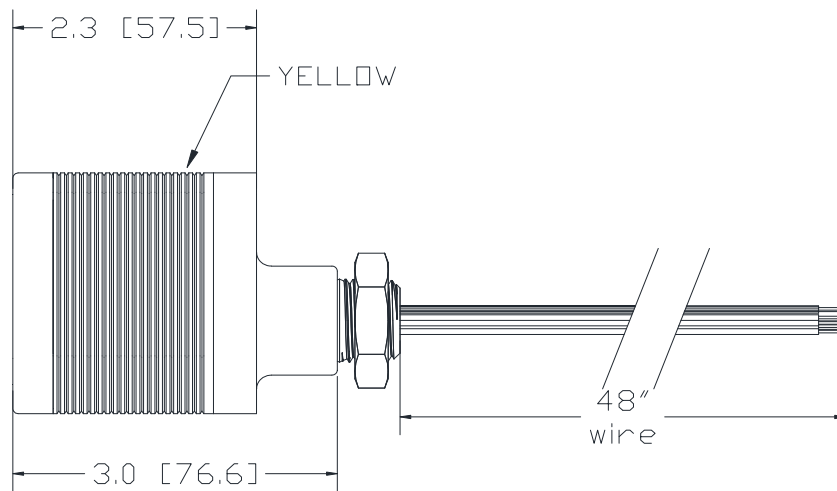
Stack Number:	1		
LED Color:	YELLOW		
Connection Wires:	Yellow and Brown		
LED Current Draw:	<60mA		
Rated Voltage:		24 VAC/DC	
Operating Voltage:		20-28 VAC/DC	
Total Max Current:		<60mA	
Operating Temperature:		-25° ~ +60°C	
Lens Color:		Opaque White	
Material:		ABS FR15U	
Mounting Method:	Direct Mount using 1/2" NPT Stainless Steel Pipe and Nut		
Weight Typical (g):	160		
NEMA 12:	Approved		
Options:	Please contact factory.		

**Dimensions:**

Inches (mm)

**cUL Recognized**

**ROHS Compliant**



**LED OPERATION:** | CONNECT STACK COLOR WIRE TO POWER AND BROWN WIRE TO POWER.