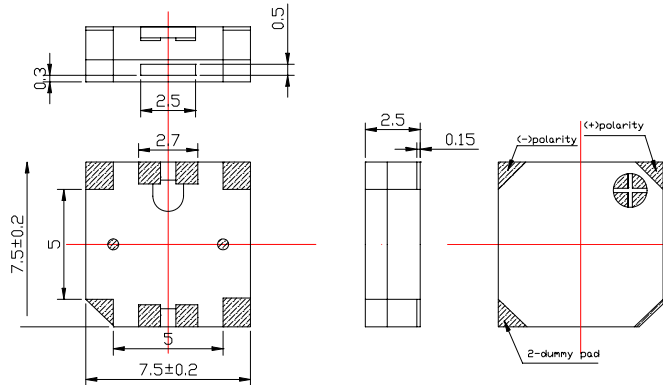
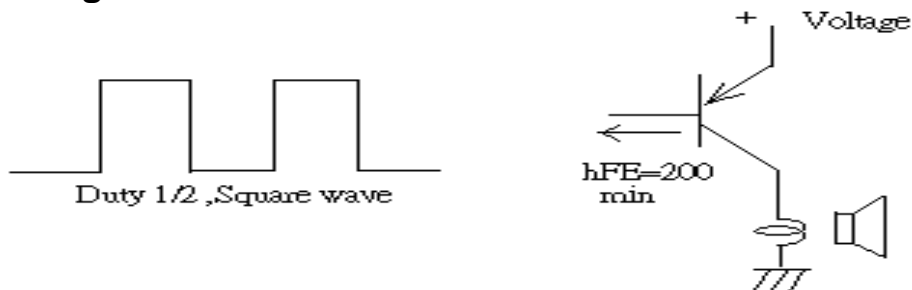


**Sales Outline Drawing**Revision **A****Specifications:**

Oscillation Frequency (Hz)	2700
Operating Voltage (Vp-p)	2.5 ~ 4.5
Rated Voltage (Vp-p)	3.6
Current Consumption Max. (mA)	100 at Rated Voltage
Sound Pressure Level (dB/min)	85 at 10cm at Rated Voltage
Coil Resistance ( $\Omega$ )	$15 \pm 3$
Operating Temperature ( $^{\circ}\text{C}$ )	$-30 \sim +70$
Storage Temperature ( $^{\circ}\text{C}$ )	$-40 \sim +80$
Type of Connection Terminal	SMD
Housing	LCP plastic resin (Color : Black)
Weight (Grams)	2.0
Condition by reflow soldering ( $^{\circ}\text{C}$ )	$245 \pm 5 / 1 \text{ min}$
Condition by hand soldering ( $^{\circ}\text{C}$ )	$350 \pm 20 / \text{within } 5 \text{ sec}$
Options	For other options contact factory

PS : Vp-p=1/2duty, square wave

**RoHS Compliant****Dimensions:** (units: mm)**Recommend Driving Circuit****Packaging:**

Parts are supplied on reels (1000 pcs per tape and reel).

Units do not come with wash label and are not appropriate for aqueous wash.