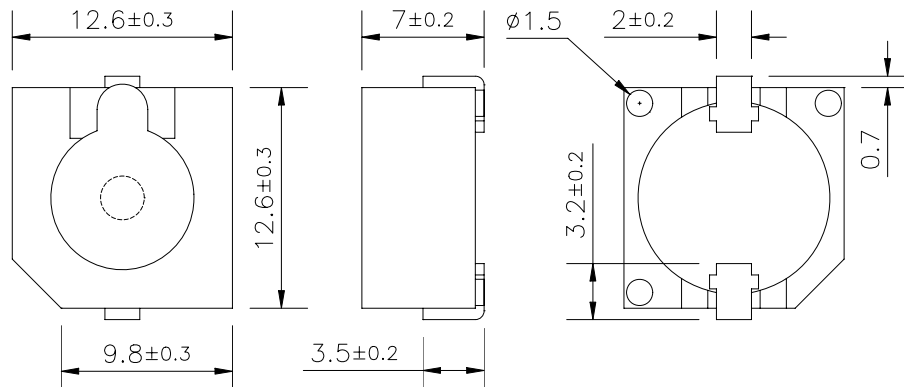
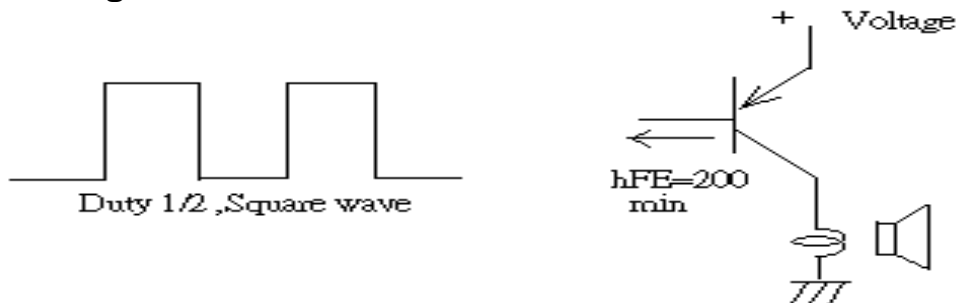


**Specifications:**

Oscillation Frequency (Hz)	2400 ± 400
Operating Voltage (Vp-p/max)	8.0 ~ 16
Rated Voltage (Vp-p)	12.0
Current Consumption Max. (mA)	50 at Rated Voltage
Sound Pressure Level Min. (dB/min)	87 at 10cm at Rated Voltage
Coil Resistance (Ω)	140 ± 14
Operating Temperature (°C)	-30 ~ +85
Storage Temperature (°C)	-40 ~ +85
Housing	PPO plastic resin (Color : Gray)
Type of Connection	SMD
Weight (g)	2.6
Condition by reflow soldering (°C)	245 ± 5 / 1 min
Condition by hand soldering (°C)	350 ± 20 / within 5 sec
Options	For other options contact factory

PS: Vp-p = 1/2duty, square wave

**RoHS Compliant****Dimensions:** (units: mm)**Recommend Driving Circuit:****Packaging:**

Parts are supplied on reels (450 pcs per tape and reel).