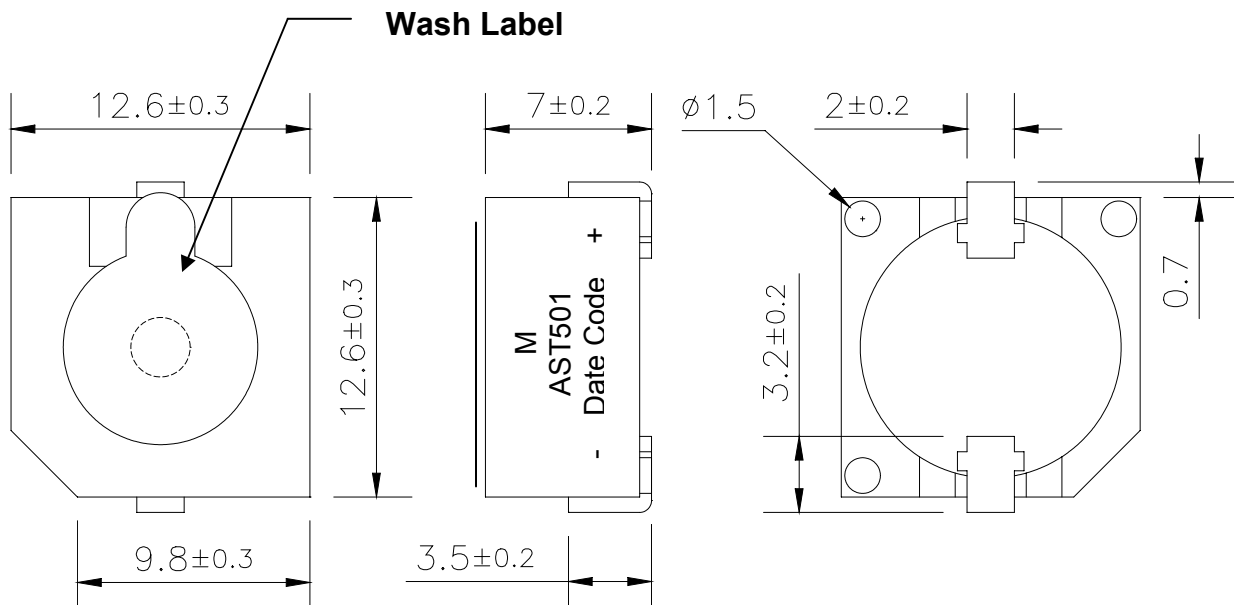


**Specifications:**

Resonant Frequency (Hz)	2400
Operating Voltage (Vp-p)	1.0 ~ 2.0
Rated Voltage (Vp-p)	1.5
Current Consumption Max. (mA)	50 at Rated Voltage
Sound Pressure Level Min. (dB)	85 at 10cm at Rated Voltage
Coil Resistance ( $\Omega$ )	$15 \pm 3$
Operating Temperature ( $^{\circ}\text{C}$ )	$-20 \sim +70$
Storage Temperature ( $^{\circ}\text{C}$ )	$-30 \sim +80$
Housing	PPO plastic resin (Color: Gray)
Type of Connection Terminals	SMD
Weight (Grams)	2.6
Options	For other options contact factory

PS: Vp-p = 1/2duty, square wave

**RoHS Complaint****Dimensions:** (units: mm)**Packaging:**

Parts are supplied on reels (450 pcs per reel).