



Mallory Sonalert Products, Inc.

Part #:

MSO206NR

Sales Outline Drawing

Revision:

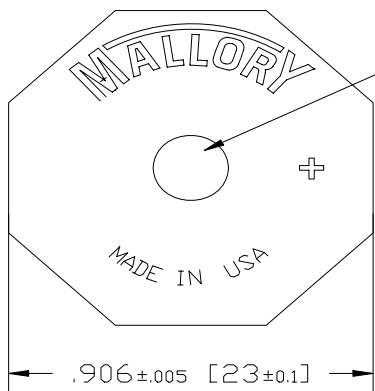
B

Specifications:

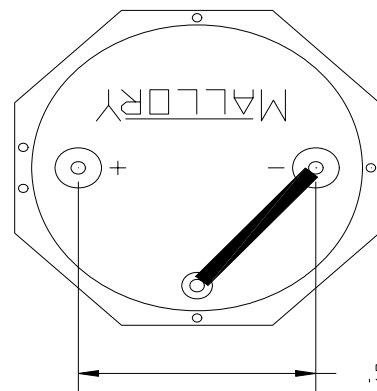
Sound Level Category	Loud
Mode of Operation	Continuous
Voltage Rating	2 to 6 VDC
Frequency	3500 ± 500 Hz
Loudness @ 2 FT	85 to 95 dB(A) Typ.
Current Draw	30mA MAX
Housing Material	Valox (UL94V-0), Color Black
Storage Temperature	-30° to +70° C
Operating Temperature	-20° to +65° C
Weight (Typical)	3.5g
Options	Please contact factory.

Dimensions: Inches (mm)

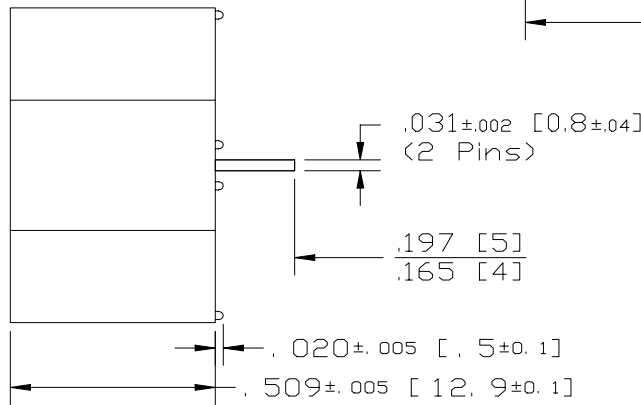
ROHS Compliant



EMISSION HOLE
 $\varnothing .188 \pm .005$ [4.8±0.1]



$.590 \pm .012$ [15±0.3]



NOTE A:
 TERMINALS - .031" DIA. NICKEL/TIN COATED BRASS.

NOTE B:
 MOUNTING- INSERT INTO PRINTED CIRCUIT BOARD AND HAND OR MACHINE SOLDER.
 UNITS ARE SUITABLE FOR WAVE SOLDERING. RECOMMENDED MAXIMUM TEMPERATURE
 AND TIME DURATION FOR WAVE SOLDERING IS +270°C AND 3 SECONDS RESPECTIVELY.