

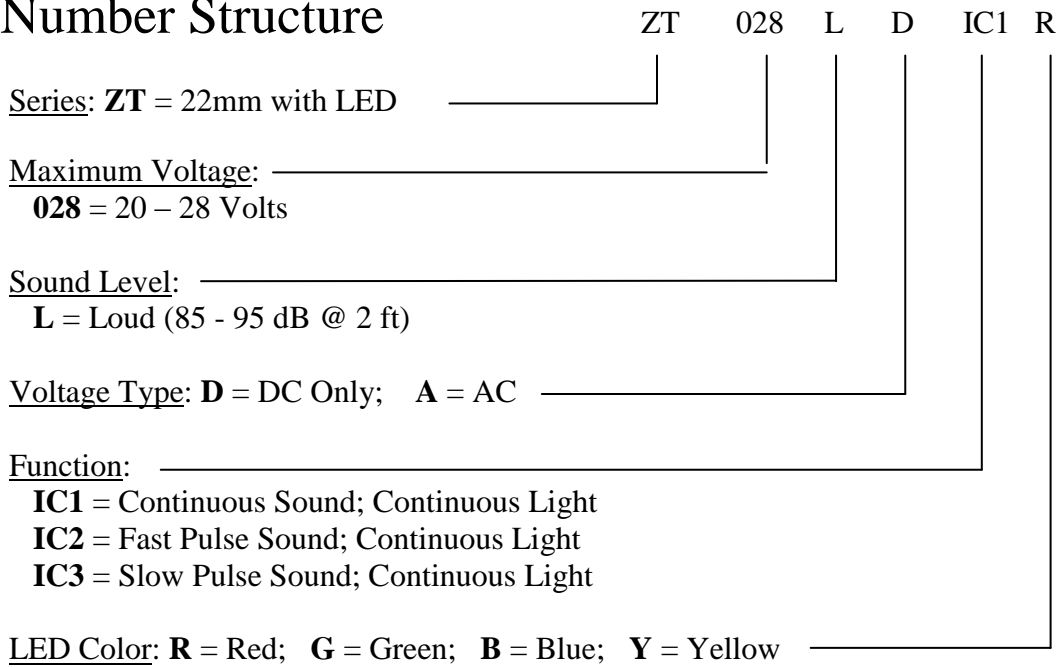


MALLORY SONALERT PRODUCTS, INC.

Product APPLICATION Guide

Product Application Guide- 22mm Independently Controlled LED or Alarm

Part Number Structure



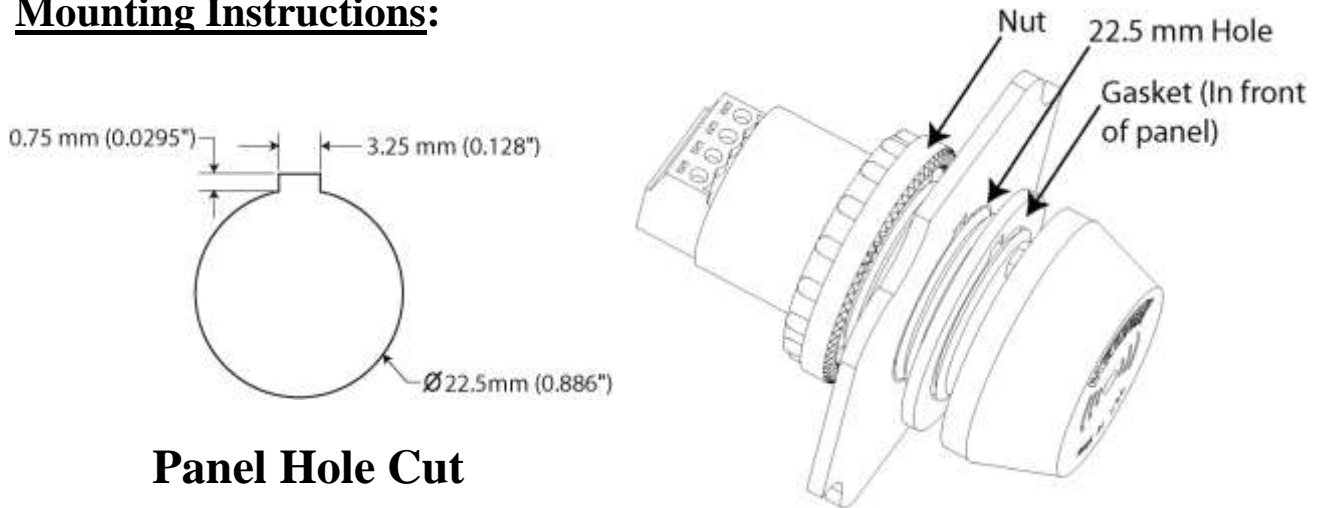
Sound Descriptions

- Continuous Tone: Constant tone until voltage is removed
- Fast Pulse Tone: 10 pulses per second
- Slow Pulse Tone: 1 pulse per second

Independently Controlled Model Descriptions

For Independently Controlled units, the sound and LED are controlled separately by the user. To activate the sound, apply the operating voltage to the sound (+) and (-) connections as shown on the specification sheet. To activate the LED, apply the operating voltage to the LED (+) and (-) connections as shown on the specification sheet. The following options are available when ordering (see above Part Number Scheme on how to order with these options):

- IC1: Continuous Sound; Continuous LED
- IC2: Fast Pulsing Sound; Continuous LED
- IC3: Slow Pulsing Sound; Continuous LED
- Other sound & LED options are available- contact Mallory with your needs

Mounting Instructions:**Panel Hole Cut**

- **Panel Hole Size:** 22.5 mm with Keyway
- **Maximum Panel Thickness:** 12.7 mm (0.5 in)
- **Maximum Nut Torque:** 10 in-lbs (1.13 n-m)
- **Wire Strip Length:** 6.5 mm (0.256 in)
- **Wire Size:** 30 to 16 AWG
- **Maximum Screw Torque:** 2 in-lbs (0.226 n-m)

Packaging:

- Standard orders are bulk packed.
- For individual box packaging, add one of the following part numbers to order:

Part Number	Description
BOX	Individual box- no label
BOXLABEL	Individual box with label

Sound Level vs Distance:

Various Measurement Distances	ZT Series Sound Level Category		
	Loud 85 – 95 dB @ 2 ft	Medium 75 – 85 dB @ 2 ft	Soft 65 – 85 dB @ 2 ft
10 cm (4 in)	100 to 110 dB	90 to 100 dB	80 to 90 dB
30 cm (1 ft)	91 to 101 dB	81 to 91 dB	71 to 81 dB
1 Meter	82 to 92 dB	72 to 82 dB	62 to 72 dB
10 ft	71 to 81 dB	61 to 71 dB	51 to 61 dB

- The ZT Series of 22mm alarms measures sound level at 2 feet. Since sound level drops over distance, the above chart lists the equivalent sound levels at various distances.
- For example, if the Mallory part is in the **LOUD** sound level category, it has a sound level of 85 to 95 dB at 2 feet. At 10 cm, the sound level would measure 100 to 110 dB.



Accessories & Replacement Parts:

Part Number	Description	Notes
ACC06	Replacement NEMA Gasket	Gasket comes with part
BOX	Individual box- no label	Must be ordered with part
BOXLABEL	Individual box with label	Must be ordered with part
KNT1-01	Replacement Nut	Nut comes with part

UL On-Line Card

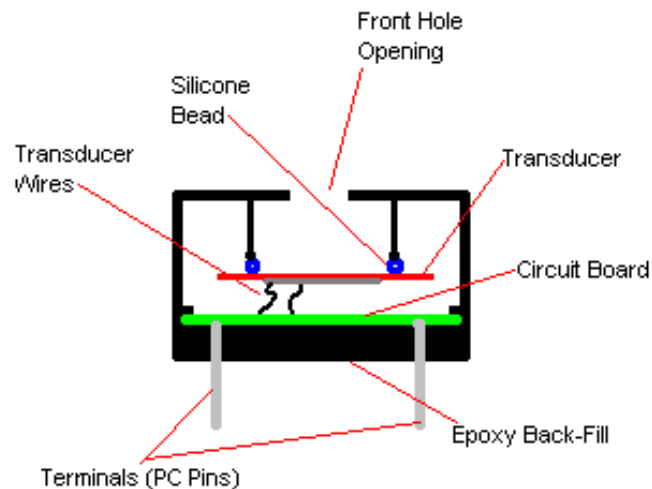
	ONLINE CERTIFICATIONS DIRECTORY	Home Quick Guide Contact Us UL.com
NKCR2.E478987 Auxiliary Devices - Component		
Page Bottom		
Auxiliary Devices - Component		
See General Information for Auxiliary Devices - Component		
MALLORY SONALERT PRODUCTS INC 4411 S High School Rd Indianapolis, IN 46241-6404 USA	E478987	
Investigated to ANSI/UL 508		
Auxiliary Device Open type, Industrial, "Sonalert - JT Series" Model(s) JT-028-RYGBC-CS-L		
Auxiliary Device Open type, Industrial, "Sonalert - ZT Series" Model(s) ZT, may be followed by 016, 028, or 120, may be followed by L, M or S, may be followed by A or D, may be followed by any two characters or maybe followed by three alphanumeric characters, may be followed by any letter, may be followed a blank or by any two alphanumeric character.		
Marking: Company name and model designation.		
Last Updated on 2016-01-28		
Questions?	Print this page	Terms of Use
		Page Top
© 2016 UL LLC		
The appearance of a company's name or product in this database does not in itself assure that products so identified have been manufactured under UL's Follow-Up Service. Only those products bearing the UL Mark should be considered to be Certified and covered under UL's Follow-Up Service. Always look for the Mark on the product.		
UL permits the reproduction of the material contained in the Online Certification Directory subject to the following conditions: 1. The Guide Information, Assemblies, Constructions, Designs, Systems, and/or Certifications (files) must be presented in their entirety and in a non-misleading manner, without any manipulation of the data (or drawings). 2. The statement "Reprinted from the Online Certifications Directory with permission from UL" must appear adjacent to the extracted material. In addition, the reprinted material must include a copyright notice in the following format: "© 2016 UL LLC".		

cUL On-Line Card

 ONLINE CERTIFICATIONS DIRECTORY		Home Quick Guide Contact Us UL.com
NKCR8.E478987 Auxiliary Devices Certified for Canada - Component		
Page Bottom		
Auxiliary Devices Certified for Canada - Component		
See General Information for Auxiliary Devices Certified for Canada - Component		
MALLORY SONALERT PRODUCTS INC 4411 S High School Rd Indianapolis, IN 46241-6404 USA	E478987	
Investigated to CAN/CSA C22.2 No. 14-13		
Auxiliary Device Open type, Industrial, "Sonalert - JT Series" Model(s) JT-028-RYGB-C-S-L		
Auxiliary Device Open type, Industrial, "Sonalert - ZT Series" Model(s) ZT, may be followed by 016, 028, or 120, may be followed by L, M or S, may be followed by A or D, may be followed by any two characters or maybe followed by three alphanumeric characters, may be followed by any letter, may be followed a blank or by any two alphanumeric character.		
		
Marking: Company name, model designation and the Recognized Component Mark for Canada,		
Last Updated on 2016-01-28		
Questions?	Print this page	Terms of Use
		Page Top
© 2016 UL LLC		
The appearance of a company's name or product in this database does not in itself assure that products so identified have been manufactured under UL's Follow-Up Service. Only those products bearing the UL Mark should be considered to be Certified and covered under UL's Follow-Up Service. Always look for the Mark on the product.		
UL permits the reproduction of the material contained in the Online Certification Directory subject to the following conditions: 1. The Guide Information, Assemblies, Constructions, Designs, Systems, and/or Certifications (files) must be presented in their entirety and in a non-misleading manner, without any manipulation of the data (or drawings). 2. The statement "Reprinted from the Online Certifications Directory with permission from UL" must appear adjacent to the extracted material. In addition, the reprinted material must include a copyright notice in the following format: "© 2016 UL LLC".		

Piezoelectric Electronic Alarm Construction

Piezoelectric Audible Signal Basic Construction



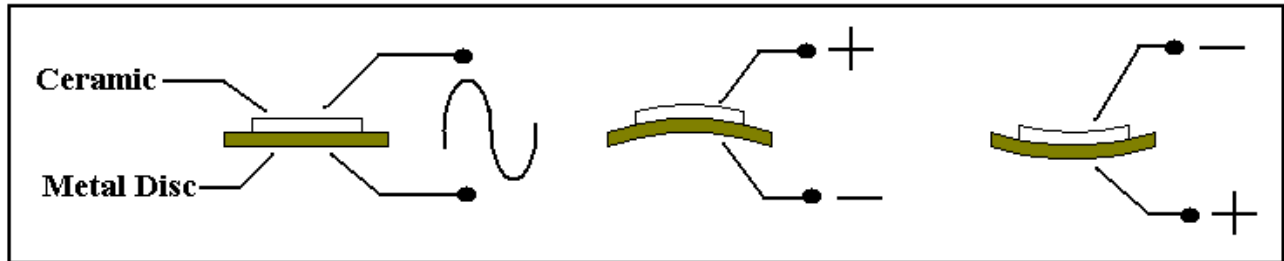
The above cross section picture shows the basic elements used in a piezoelectric audible alarm. The area in front of the transducer element including the front hole opening forms an acoustic cavity that lets the sound radiate out with the most efficiency (i.e. loudest sound level). If the alarm is an indicator that contains a circuit board, the circuit board is attached to the piezoelectric sounder element via soldered wires.

The above picture can be interpreted to represent a board mount package with pc pin terminations, but the same concept is used when building audible alarms in other mounting configurations such as SMT, Flange Mount, and Panel Mount alarms.

If the back of the alarm is sealed with epoxy or other material, the “guts” of the alarm (including the circuit board and components) are protected against fluid intrusion. However, fluid sitting inside the front cavity can obstruct the operation of the device causing the sound level to decrease significantly. If you need to wash the alarms after a soldering operation, it is strongly recommended to use an alarm that comes with a wash label that keeps the washing fluid from getting inside of the front cavity.

Operation of Piezoelectric Audible Alarms

Piezoelectric electronic audible alarms work by converting the user input voltage to an appropriate oscillating signal that is applied to a sounder element that is mounted in a housing. The piezoelectric sounder element consists of a metal disc that has a special ceramic material



bonded to it that physically bends when voltage is applied to it.

The above picture shows a bare piezoelectric sounder element. By applying a sinusoidal wave-form at an appropriate frequency, the transducer will physically deflect in one direction and then in the opposite direction following the shape of the input wave-form. If this oscillation occurs in the audible frequency range (1 Hz to 20 kHz), then air pressure waves are produced that the human ear interprets as an audible sound.

The larger the voltage of the applied wave-form, the larger the amplitude of the air pressure waves resulting in a louder sound level. However, the ceramic portion of the transducer can only bend so far before there is a risk of a catastrophic failure. This maximum voltage is somewhere around 40 to 50 volts. However, it is rare to apply this much voltage to a transducer as you reach a point of diminishing returns for voltages much greater than 32 volts.

By itself, the sound level produced by a transducer element is insignificant. To increase the size of the air pressure waves (and thus the sound level), the transducer element must be mounted inside an acoustic chamber that is optimized for the transducer size and resonant frequency. Every transducer has one frequency where it flexes more efficiently producing the louder sound levels. This frequency where the transducer performs the best is called the resonant frequency.

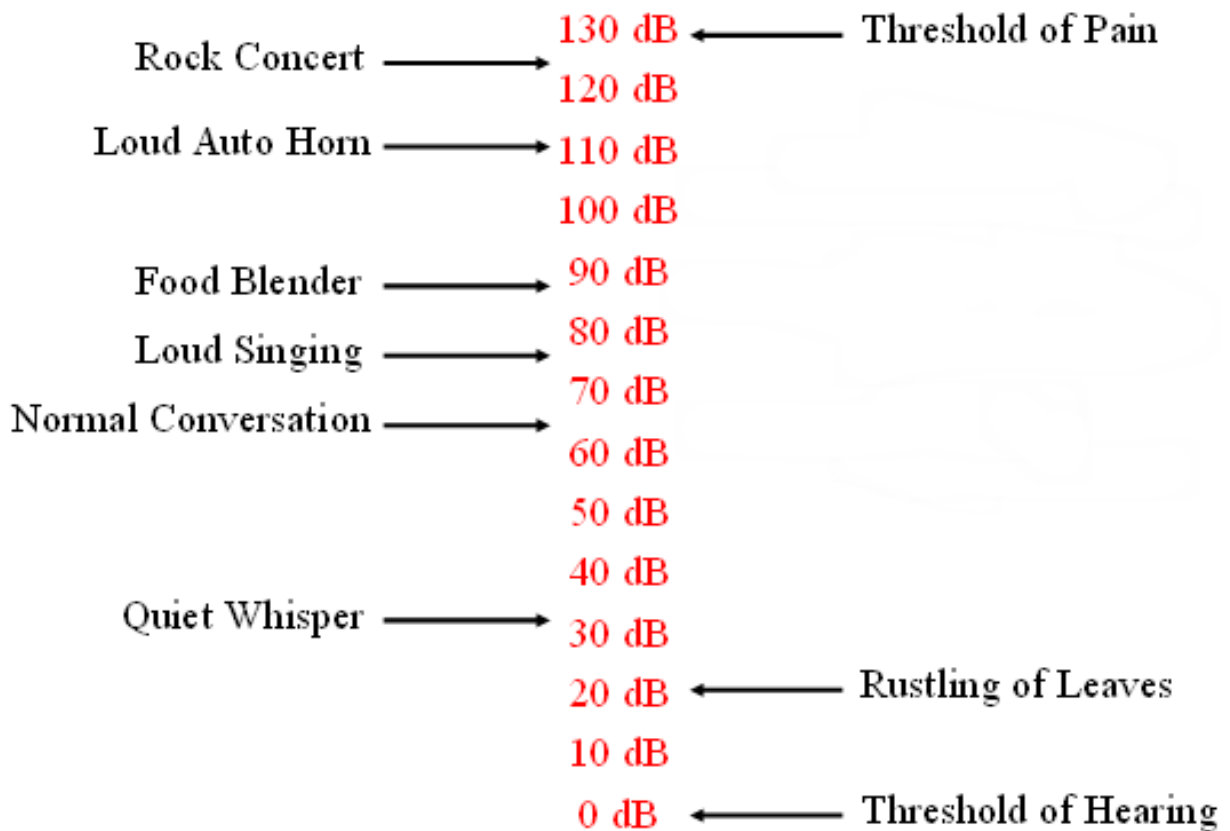
Self-Drive type devices provide a 3rd terminal that connects to an isolated portion of the piezoelectric transducer. This third terminal provides a feed-back signal that is 180 degrees out of phase with the drive signal. This signal can be fed back into the circuit to allow the sounder element to self-tune itself to the transducer's resonant frequency.

Decibel Sound Level Scale

The decibel sound level scale is an arbitrary scale that ranges from 0 dB (threshold of hearing) to 130 dB (threshold of pain). The chart below shows where some common sounds fall on this dB scale. Audible alarms are available that have sound levels as soft as 55 dB at 2 feet and as loud as 110 dB at 2 feet.

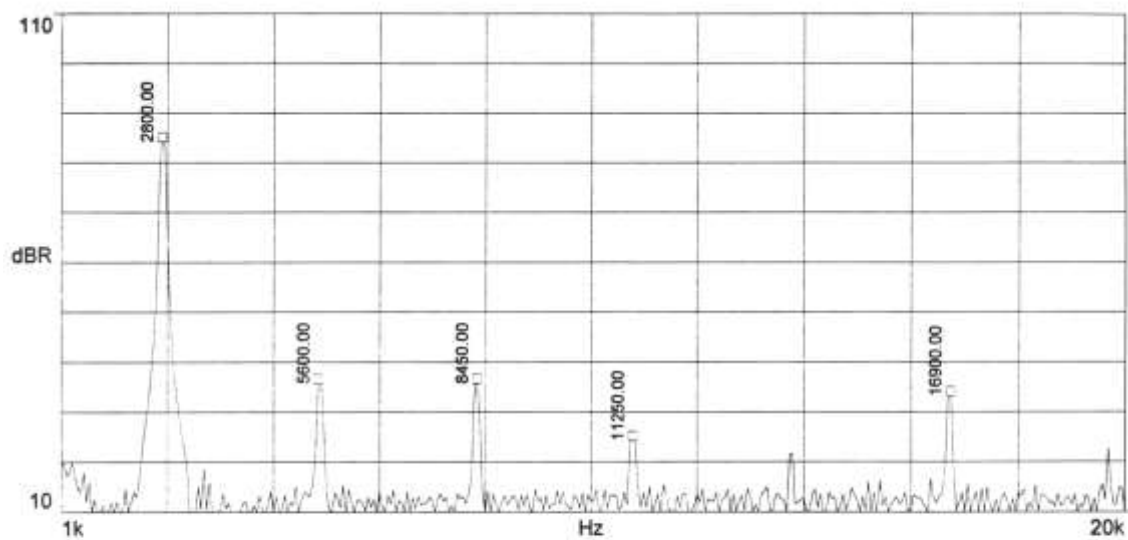
Reference Sound Levels

(as if you were standing 2 feet from the sound source)



Fundamental Frequency & Harmonics

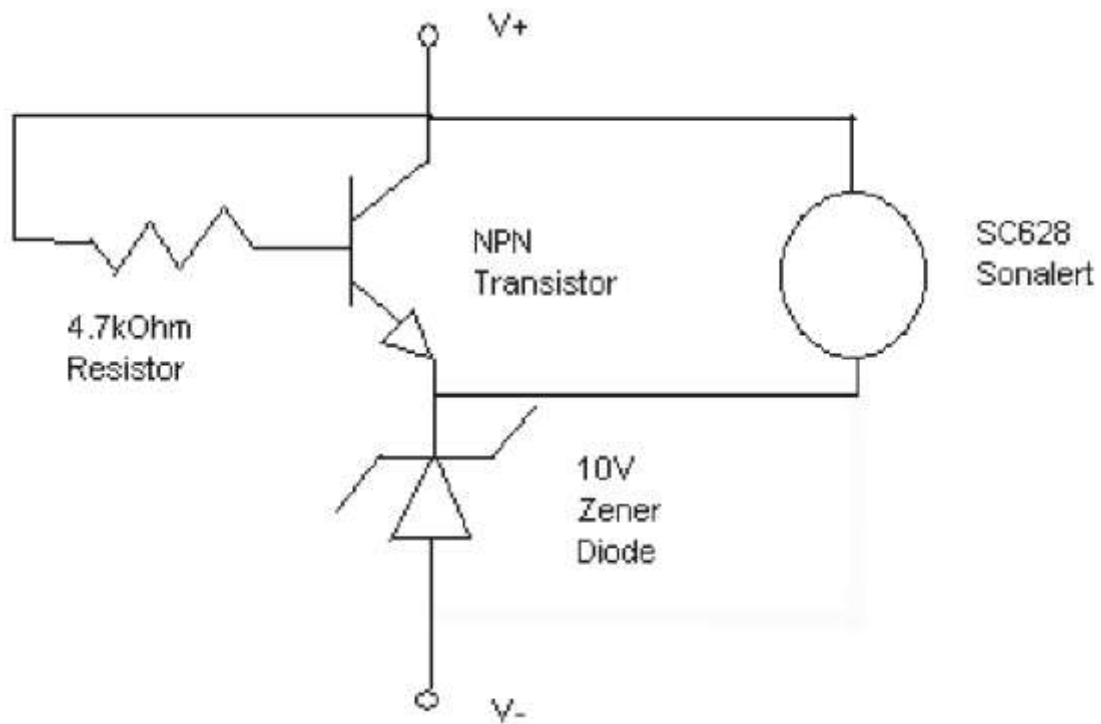
Below is a frequency scan of a piezoelectric audible alarm that has a resonant frequency of 2,800 Hz. As you can see, there is a strong frequency peak at 2.8 kHz and several smaller frequency peaks that follow called harmonic frequencies. The table below the chart shows that the size of the harmonic frequencies are significantly smaller than the fundamental frequency for this particular alarm unit. Because this alarm has a large fundamental frequency and much smaller harmonic frequencies, the sound quality of this part will be very good. When this alarm is activated, the listener will hear one clear frequency (also called sound pitch) from the alarm. Other electronic alarm technologies such as electro-magnetic or electro-mechanical type alarms often have much larger harmonic frequency components resulting in less clear tone.



	Frequency	dB	% dB of Fundamental
Fundamental:	2.800 KHz	86.1	100.0%
2nd Harmonic:	5.600 KHz	37.6	43.7%
3rd Harmonic:	8.450 KHz	37.6	43.7%
4th Harmonic:	11.250 KHz	26.1	30.3%

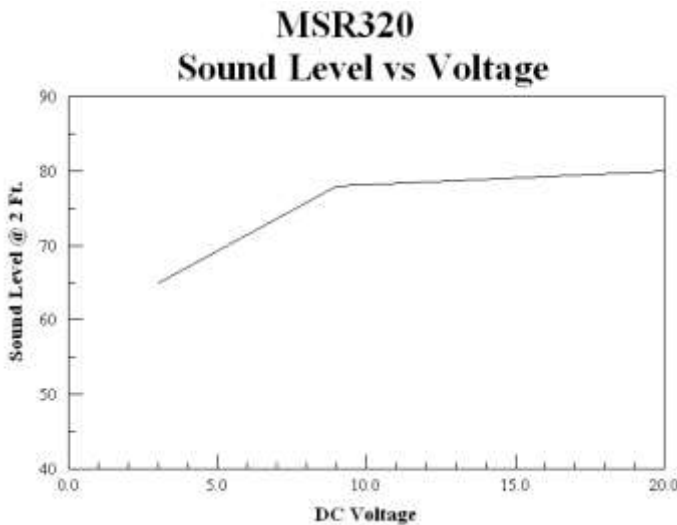
Circuit to Increase Turn-On Voltage

Below is a circuit that can be used to prevent the alarm from sounding until a certain voltage is reached. This particular circuit has a turn-on voltage around 10 Vdc due to the 10 volt Zener Diode, but you can just substitute other values of Zener Diodes to get the needed turn-on voltage for your circuit.



Controlling Sound Level- Electronic Method

For piezoelectric type audible alarms, the larger the voltage signal applied to the piezoelectric transducer, the louder the sound level. This property can be used to electronically control the sound level of these devices.



For audible alarm model MSR320R, the sound level will vary from 65 dB at 2 ft. at 3 Vdc up to 80 dB at 2 ft. at 20 Vdc. By varying the voltage from 3 to 20 Vdc, the sound level can be varied by 15 dB. A 10 dB drop in sound level will make the alarm sound half as loud.

There are several ways of electronically controlling the voltage including:

1. Using a manual or digital potentiometer.
2. Using a selector circuit and different values of resistors.
3. Using PWM voltage signals from microcontrollers.

In all cases, care must be taken to make sure that the circuitry and voltage signals used do not interfere with the internal circuitry of the audible alarm. This method of controlling the sound level will probably not work well in the following cases:

1. The sound level of electro-magnetic type alarms do not vary much over the voltage range of these devices, so most electro-magnetic type alarms are not suitable for this method.
2. When you only have a narrow operating voltage range to work with. For example, if you are using the MSR320R at 5 Vdc, the sound level change from 5 Vdc to 3 Vdc is not very much.
3. When the voltage range of the audible alarm is narrow. For example, panel mount model SC307NR only has a voltage range of 3 to 7 Vdc. Over this range, the sound level will vary by only 6 dB. This sound level change is significant, but may not be enough to make a difference in the application.

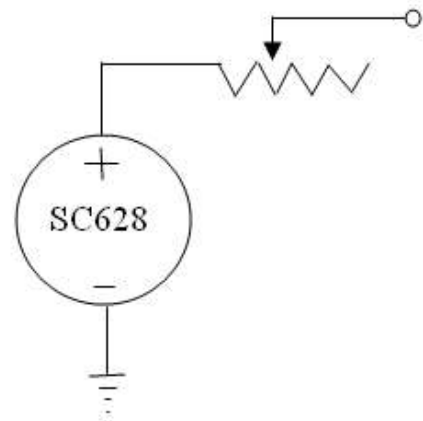
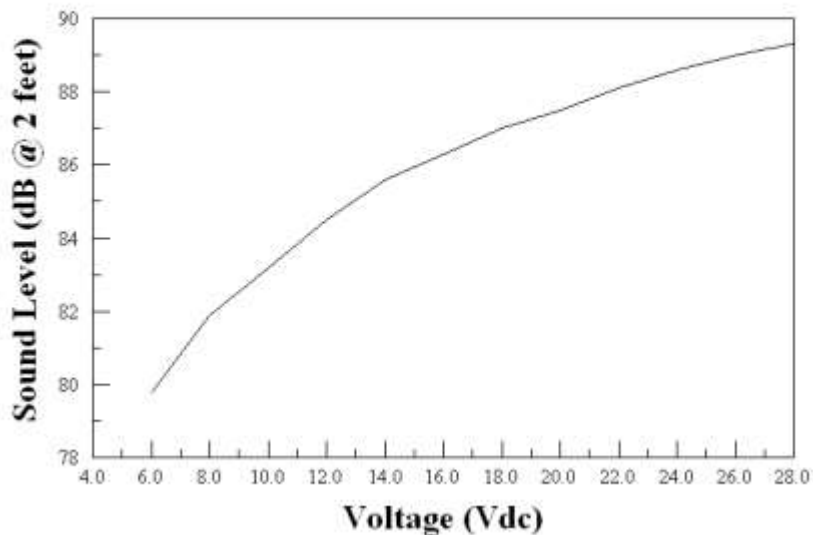
Controlling Sound Level Using a Potentiometer

A potentiometer can be used on many Mallory Sonalert alarm models to control the sound level. However, there are some alarm models where the use of a potentiometer actually interferes with the operation of the alarm circuitry. The first step to using a potentiometer, therefore, is to verify that it will not affect the operation of the audible alarm.

For panel mount model SC628R, as the left graph below shows, the sound level will change as much as 10 dB over the rated voltage range. By putting a potentiometer in series with the SC628R, we can adjust the voltage to the alarm and thus adjust the alarm sound level.

Panel Mount Model SC628

Sound Level from 6 to 28 Vdc



It was verified that the circuitry of model SC628R is not affected by a potentiometer, so data was gathered to find the value of a potentiometer that gives the greatest range of sound change.

Results:

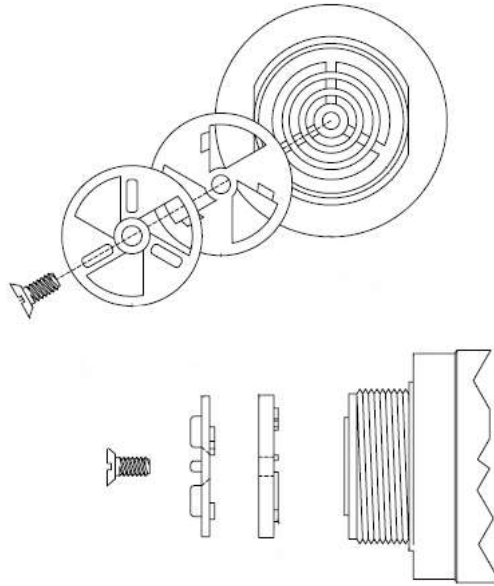
At 12 Vdc, it was found that a 7 kOhm potentiometer in series with the SC628R will give the widest swing of sound level. At 0 Ohm, the sound level is 84 dB, and with the POT turned all the way up to 7 kOhm, the sound level drops to 73 dB. This gives a fairly wide swing of 11 dB.

At 28 Vdc, it was found that a 20 kOhm potentiometer in series with the SC628R works well. At 0 Ohm, the sound level is 89 dB, and with the POT set at 20 kOhm, the sound level drops to 73 dB. This gives an even wider swing of 16 dB.

It should be noted that with the two potentiometers listed above turned all the way up to their maximum value, the voltage across the SC628R is only 3 Vdc. While this is outside the rated voltage range, the alarm will still work at this voltage, so it is okay to drop the voltage this low in order to get a wider swing of sound level as long as this sound level is still adequate for the application.

Controlling Sound Level- Mechanical Method

There are two ways to control sound level in an electronic audible alarm. One is mechanical and the other is electrical. The mechanical method involves changing the size of the front hole opening of the audible alarm. The open area in the front of the audible alarm including the front hole opening is an acoustically tuned cavity. By partially covering the front hole opening, you are changing the cavity tuning making it less efficient. The more the front hole opening is covered, the more the sound level will decrease.



An example of how to do this is shown above. The picture above shows our manual sound baffle accessory with part number: SCVC being assembled onto the front of a panel mount alarm housing. The SCVC accessory consists of a screw and two pieces of plastic. After the sound baffle is attached to the front of the alarm, the sound level can be changed by manually turning the top piece of plastic. The sound level of the alarm will attenuate anywhere from 10 to 15 dB's making the alarm sound about half as loud as before.

The main disadvantage of this manual method of controlling the sound level is that it is controlled by the operator. In some situations, it is dangerous to let the operator have the ability to decrease the sound level of the alarm. The most obvious potential problem is that the operator could turn the sound level down too much so that the alarm will not easily be heard the next time it is activated.

Typical Failure Modes of Piezoelectric Audible Alarms

Component/Subsystem	Failure Mode	End Result	Occurrence
Circuit Components (Resistors, Capacitors, Diodes, IC's, etc.)	Over-voltage by customer's application	Unit ceases working.	Vast Majority of Returns
Transducer/Wire Solder Operation	Not enough wire strands in solder joint	Wire breaks after period of time & unit ceases sounding	Rare
Physical Assembly	Transducer wire pinched, adhesive/epoxy run down onto transducer, or RTV adhesive seal failure	Intermittent operation	Rare
Soldering Operation	Incorrect Solder Temperature or Time Causing Cold Solder Joint	Intermittent operation or unit ceases working after period of time	Very Rare
Circuit Components	Random Component Failure; Wrong Component Used; Missing Component	Unit ceases working under normal operating conditions	Very Rare
Transducer Wire	Defect in Wire; Wire Strands Damaged in Production	Wire breaks after period of time & unit ceases sounding	Very Rare
Piezo Transducer	Incorrect Polarization by Manufacturer; Glue Bonding Failure	Sound volume level decreases over time.	Exceedingly Rare

Notes:

1. Customer returns of Mallory audible alarms for failure to operate are very rare. Of the few parts returned each year, the vast majority of the root cause of failure is an over-voltage or voltage spike condition caused by the customer's application.
2. All Mallory alarms are, at a minimum, function tested 100% during production, and a final audit is performed. Mallory SC/SBM/SBT/SBS/SNP/LSC/VSB/MSR/MSO/ZA series of alarms are audited 100% at final test by checking that sound level, frequency, and current are within specification limits from 2 to 4 different voltage levels.