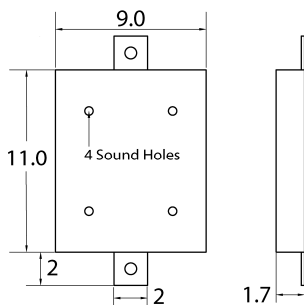


Product APPLICATION Guide

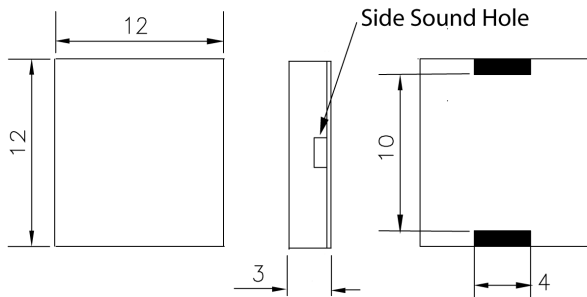
Mallory Surface Mount Transducer Alarms



AST1109MLTRQ

Features

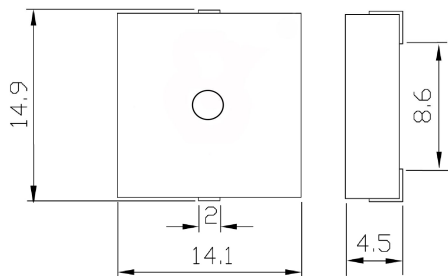
- Ultra Short 1.7 mm Height
- 4,100 Hz Frequency
- 80 dB @ 10 cm @ 5Vpp Typical
- 1 to 20 Vpp Voltage Range
- Low 1 mA Current @ 5 Vpp



AST1240MLTRQ

Features

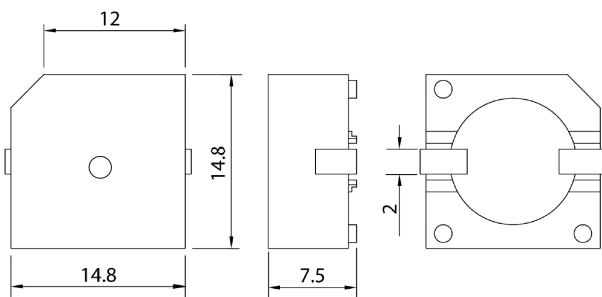
- Short 3 mm Height
- 4,000 Hz Frequency
- 80 dB @ 10 cm @ 3 Vpp Typical
- 1 to 25 Vpp Voltage Range
- Low 5 mA Current @ 3 Vpp



AST1440MATRQ

Features

- Short 4.5 mm Height
- 4,000 Hz Frequency
- 80 dB @ 10 cm @ 5 Vpp Typical
- 1 to 20 Vpp Voltage Range
- Low 2 mA Current @ 5 Vpp



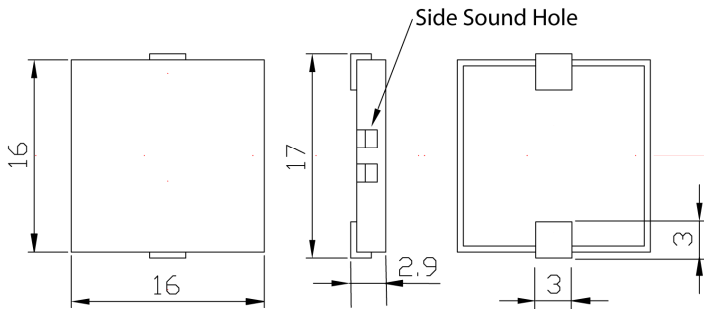
AST1575BMATRQ

Features

- 3650 Hz Frequency
- 88 dB @ 10 cm @ 7 Vpp Typical
- 1 to 30 Vpp Voltage Range
- Low 5 mA Current @ 7 Vpp
- -30 to +70 °C Operating Temp.



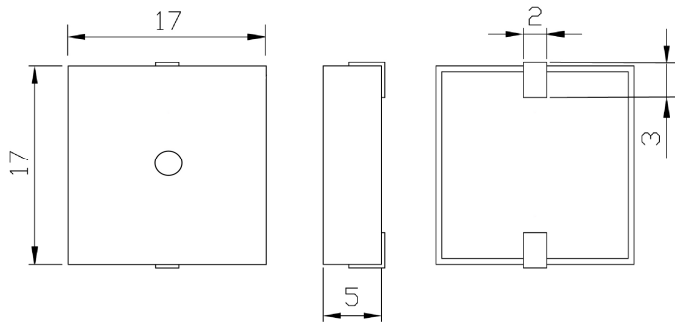
Surface Mount Transducer Alarms Con't



AST1628MATRQ

Features

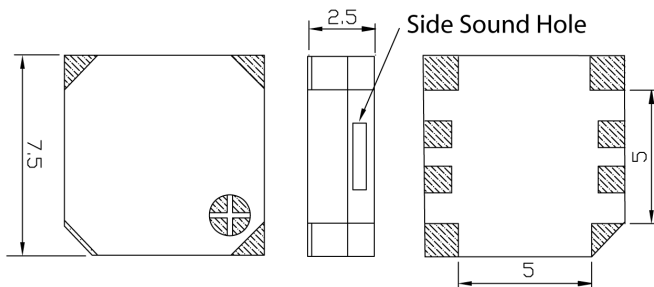
- Short 3 mm Height
- 4,000 Hz Frequency
- 85 dB @ 10 cm @ 3 Vpp Typical
- 1 to 25 Vpp Voltage Range
- Low 5 mA Current @ 3 Vpp
- -30 to +70 °C Operating Temp.
- -40 to +80 °C Storage Temp.



AST1750MATRQ

Features

- Short 5 mm Height
- 4,000 Hz Frequency
- 90 dB @ 10 cm @ 5 Vpp Typical
- 1 to 20 Vpp Voltage Range
- Low 2.5 mA Current @ 5 Vpp
- -30 to +70 °C Operating Temp.
- -40 to +80 °C Storage Temp.
-



AST7525MATRQ

Features

- Ultra Short 2.5 mm Height
- Low 2,700 Hz Frequency
- 90 dB @ 10 cm @ 3.6 Vpp Typical
- 2.5 to 4.5 Vpp Voltage Range
- 100 mA max Current Draw
- -30 to +70 °C Operating Temp.
- -40 to +80 °C Storage Temp.



Call 317-612-1000 or Visit www.mallory-sonalert.com for More Details