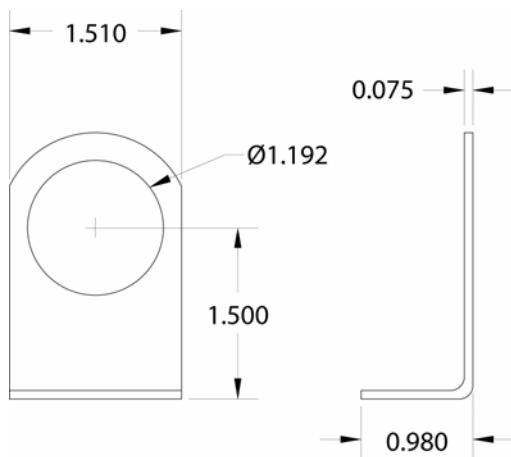


Product APPLICATION Guide

ACCESSORIES FOR PANEL MOUNT ALARMS

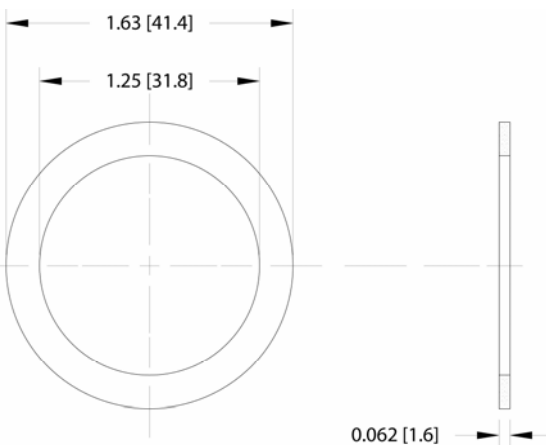


ACC01 (NEW)

Aluminum "L" Bracket

Features

- Use to Externally Install Panel Mount Alarms
- Compatible with Most Mallory Sonalert Panel Mount Alarms



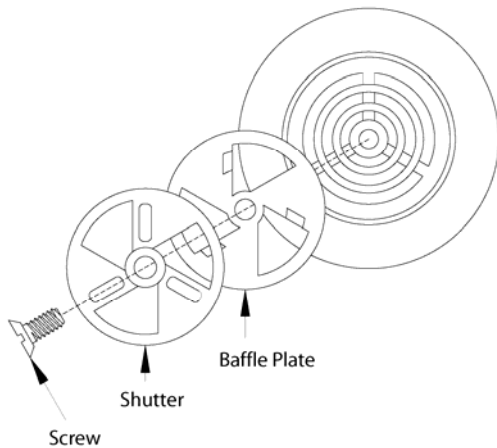
ACC03 (NEW)

NEMA-IP Sealing Gasket

Features

- Use for NEMA 3R, 4X, or 12, or IP-66 Applications
- UL & C-UL Approved
- Fits Most Mallory Sonalert Panel Mount Alarms



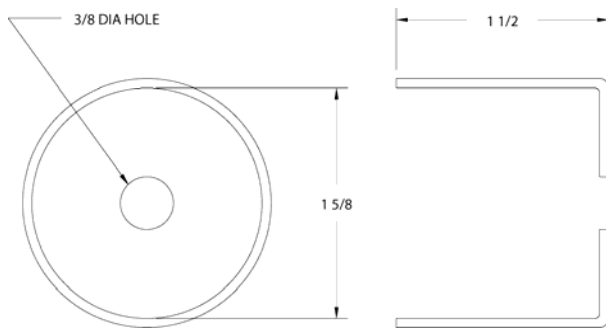


SCVC Manual Sound Baffle



Features

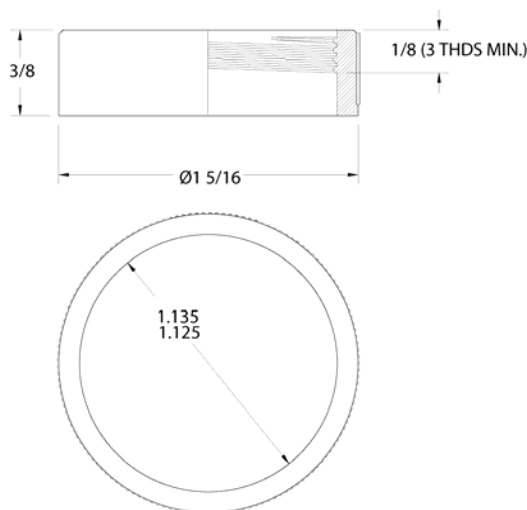
- Mounts to the Front of the Panel Alarm.
- Manually Adjust Sound Level 10 to 20 dB Lower
- Use with SC or SCE Series



RSB1 Electrical Insulating Boot

Features

- Covers Back of Alarm to Prevent Electric Shock or Shorting
- Especially Recommended for 48, 120, and 250 Vac Rated Models
- Use with SC Series Alarms



BNR1; CNR1; PNR1 Knurled Panel Nuts



Features

- Fits SC & SCE Series Alarms
- BNR1: Anodized Black Aluminum
- CNR1: Anodized Clear Aluminum
- PNR1: Black Plastic

Call 317-612-1000 or Visit www.mallory-sonalert.com for More Details