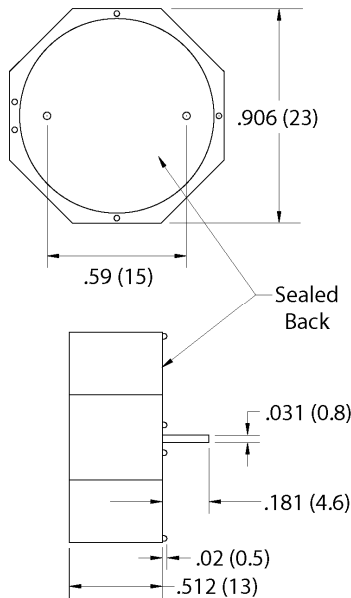




MALLORY SONALERT PRODUCTS, INC.

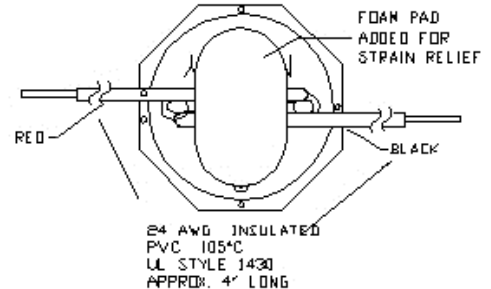
Product APPLICATION Guide

MSO206NR & MSO206NLR Miniature Loud / Low Voltage Buzzers



MSO206NR

Typical Sound Levels	
2 Vdc	6 Vdc
100 dB(A) @ 10 cm.	110 dB(A) @ 10 cm.
91 dB(A) @ 30 cm.	101 dB(A) @ 30 cm.
85 dB(A) @ 2 ft.	95 dB(A) @ 2 ft.



MSO206NLR

KEY FEATURES:

- Continuous Tone
- 2 to 6 Vdc Operating Voltage
- 85 dB(A) Typ @ 2 ft @ 2 Vdc
- 95 dB(A) Typ @ 2 ft @ 6 Vdc
- 30 mA Max Current
- 3500 Hz Frequency
- -20 to 65 °C Operating Temp
- -30 to 70 °C Storage Temp
- Black Valox (UL94V-0) Housing

Call 317-612-1000 or Visit www.mallory-sonalert.com for More Details